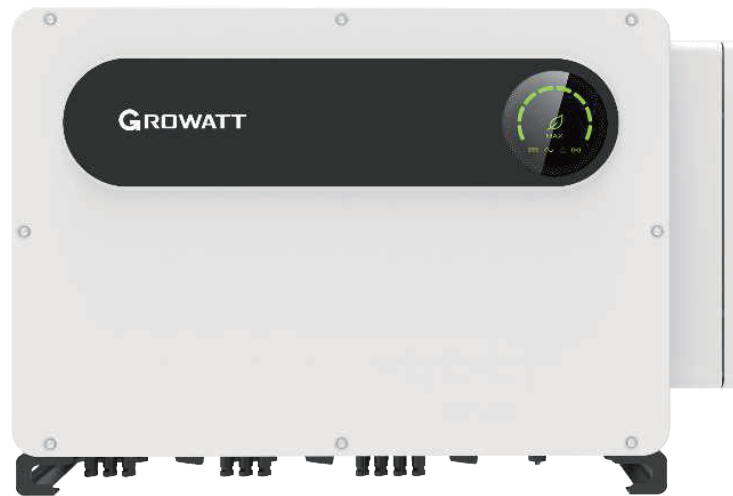
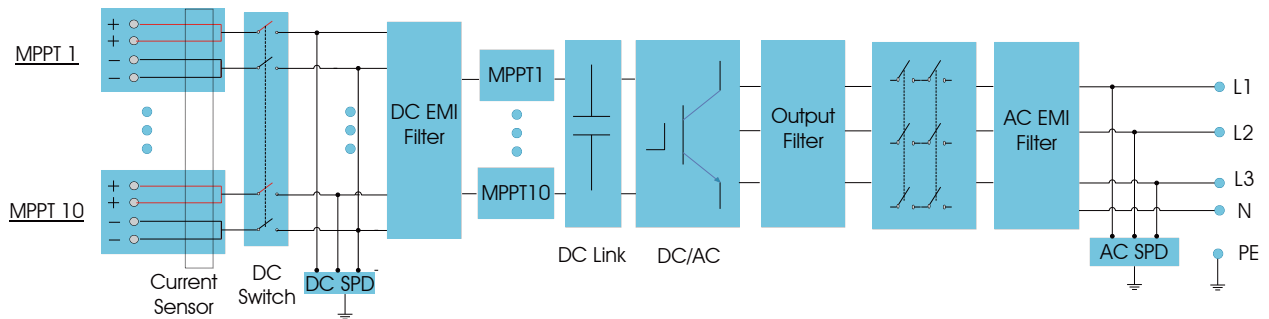


MAX 100~125KTL3-X LV



- 10 MPPTs fusefree design
- Smart I/V scan and diagnosis
- Intelligent string monitoring
- AC&DC type II SPD
- IP66 and C5 protection

Topology Diagram





Primary Specification

Datasheet	MAX 100KTL3-X LV	MAX 110KTL3-X LV	MAX 120KTL3-X LV	MAX 125KTL3-X LV
Input data (DC)				
Max. DC voltage		1100V		
Start voltage		195V		
Nominal voltage		600V		
MPP voltage range		180V-1000V		
No. of MPP trackers		10		
No. of PV strings per MPP tracker		2		
Max. input current per MPP tracker		32A		
Max. short-circuit current per MPP tracker		40A		
Output data (AC)				
AC nominal power	100000W	110000W	120000W	125000W
Max. AC apparent power	110000VA	121000VA	132000VA	137500VA
Nominal AC voltage (range*)	400V/380V(340-440VAC)			
AC grid frequency (range*)	50/60 Hz(45~55Hz/55-65 Hz)			
Max. output current	158.8A @400V 167.1A@380V	174.6A @400V 183.8A@380V	190.5A @400V 200.5A@380V	198.5A@400V 208.9A@380V
Adjustable power factor	0.8leading ...0.8lagging			
THDi	<3%			
AC grid connection type	3W/N/PE			
Efficiency				
Max. efficiency		98.8%		
European efficiency	98.50%	98.5%	98.5%	98.5%
MPPT efficiency		99.9%		
Protection devices				
DC reverse polarity protection		Yes		
DC switch		Yes		
AC/DC surge protection		Type II / Type II		
Insulation resistance monitoring		Yes		
AC short-circuit protection		Yes		
Ground fault monitoring		Yes		
String detection		Yes		
Anti PID function		Opt		
Arc fault detection (AFCI)		Opt		
General data				
Dimensions (W / H / D)		970/640/345mm		
Weight		84kg		
Operating temperature range		-30°C ... +60°C		
Nighttime power consumption		< 1W		
Topology		Transformerless		
Cooling		Smart Cooling		
Protection degree		IP66		
Relative humidity		0~100%		
Altitude		4000m		
DC connection		H4/MC4 (Max.6mm ²)		
AC connection		OT Terminal (Max. 240mm ²)		
Display		LED/WIFI+APP		
Interfaces: RS485 / USB / PLC/GPRS/4G/WIFI		Yes/Yes/Optional/Optional/Optional/Optional		
Warranty: 5 years / 10 years		Yes /Optional		
CE,IEC62116, IEC61727, CQC, VDE0126, VFR2019, EN50549-1, C10/C11, UNE206007, G99 CEI 0-21/0-16, N4105, UNE206006,MEA, PEA, KSC8565				

* The AC voltage range and frequency range may vary depending on specific country grid standard.
All specifications are subject to change without notice.